

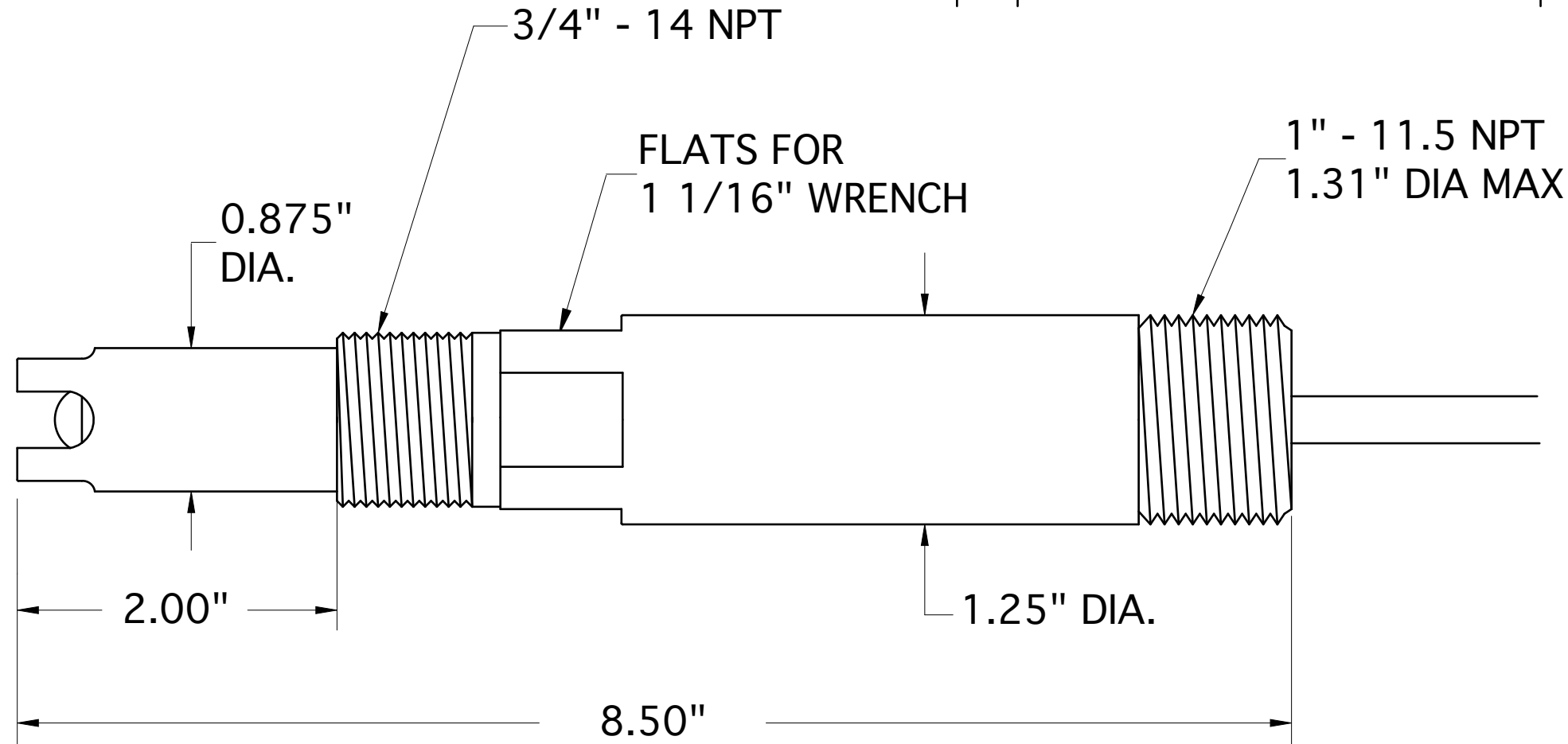
1

2

3

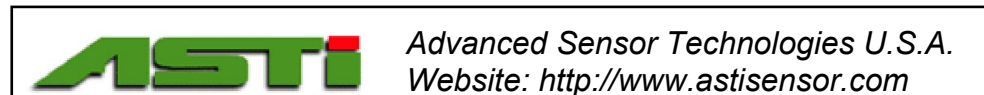
REVISION HISTORY

REV	DESCRIPTION	DATE	APPROVED



NOTES

- All dimensions are in inches, unless otherwise indicated with tolerances as detailed below
- Sensor body material of construction is RADEL (6X31), PEEK (6X41) or RYTON (6X51, 6X52)
- Drawing shown in the standard with protective tines configuration (4 places, 90 degrees apart).  
The 2 protective tines only "GRO" configuration (2 places, 180 degrees apart) is optional.
- In the alternate without tines configuration ("NG") the sensor body is exactly 8.0 inches in length.  
The max displacement for hemispherical pH glass is 0.3" yielding a max insertion depth of 1.8 inches past threads & overall max length of 8.3 inches.
- Do not use any sensor beyond the factory defined maximum temperature or pressure rating.



TOLERANCES		DRAWN BY
1 Place: ± .1	3 Places: ± .005	RH
2 Places: ± .01	4 Places: ± .0005	CHECKED BY
Angular: ± 0.25°		TADP
		APPROVED BY
		MJP

TITLE			
3/4"-1" MNPT Inline / Immersion / Submersible			
SIZE	PROJECT	DRAWING NO.	REV
B	IMMERSION	6-1 pH SENSORS	/
SCALE	MODEL	SHEET	OF
Not to Scale	6X31,6X41,6X51,6X52	1	1

1

2

3