

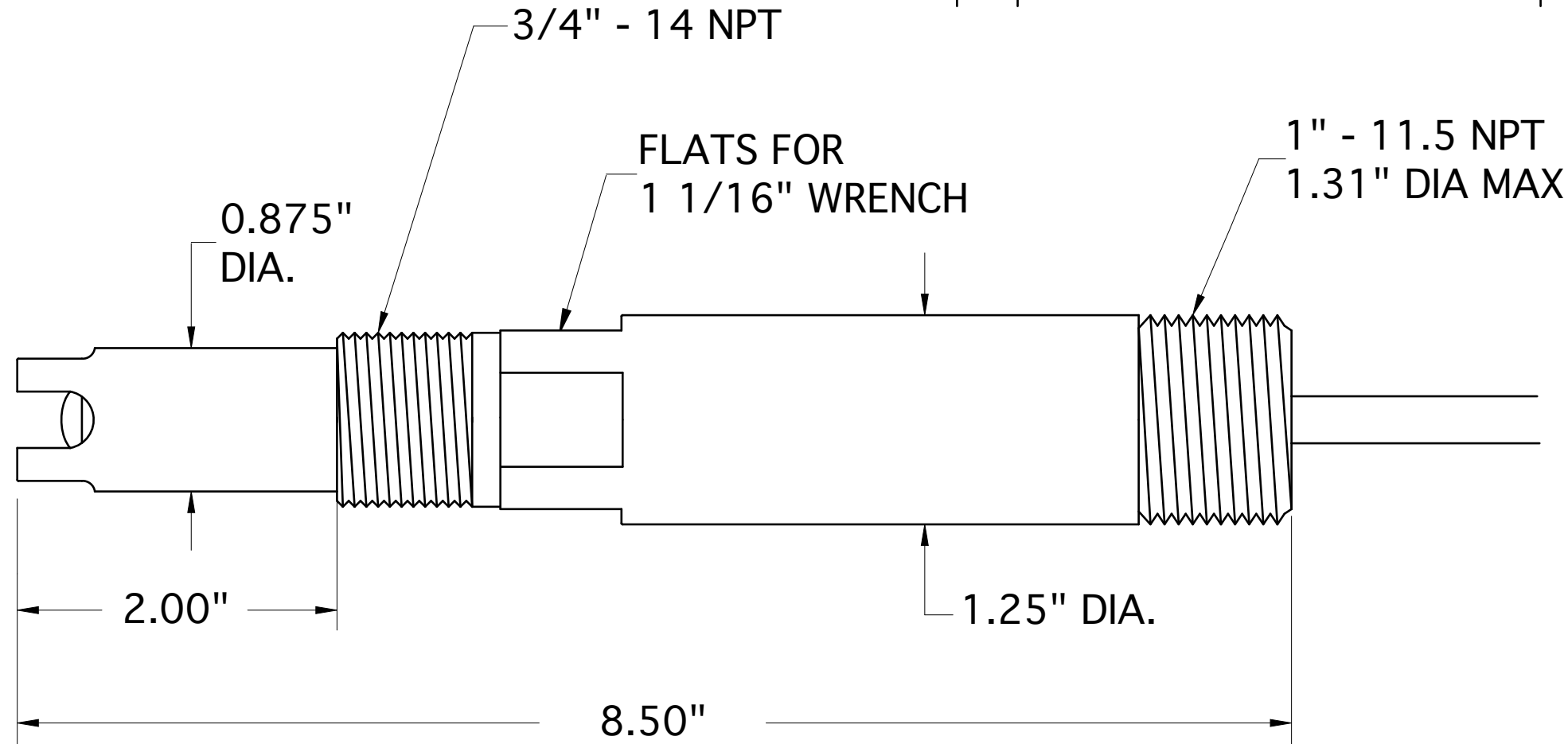
1

2

3

REVISION HISTORY

REV	DESCRIPTION	DATE	APPROVED



NOTES

1. All dimensions are in inches, unless otherwise indicated with tolerances as detailed below
2. Sensor body material of construction is RADEL (6X31), PEEK (6X41) or RYTON (6X51, 6X52)
3. Drawing shown in the standard with protective tines configuration (4 places, 90 degrees apart).
The 2 protective tines only "GRO" configuration (2 places, 180 degrees apart) is optional.
4. In the alternate without tines configuration ("NG") the sensor body is exactly 8.0 inches in length.
The max displacement for parabolic pH glass is 0.2" yielding a max insertion depth of 1.7 inches past threads & overall max length of 8.2 inches.
5. Do not use any sensor beyond the factory defined maximum temperature or pressure rating.

TOLERANCES	
1 Place: ± .1	3 Places: ± .005
2 Places: ± .01	4 Places: ± .0005
Angular: ± 0.25°	

DRAWN BY
RH

CHECKED BY
TADP

APPROVED BY
MJP



Advanced Sensor Technologies U.S.A.
Website: <http://www.astisensor.com>

TITLE
3/4"-1" MNPT Inline / Immersion / Submersible

SIZE	PROJECT	DRAWING NO.	REV
B	IMMERSION	6-2 Low-Profile pH Glass	/

SCALE	Not to Scale	MODEL	6X31,6X41,6X51,6X52	SHEET	1	OF	1
-------	--------------	-------	---------------------	-------	---	----	---

1

2

3