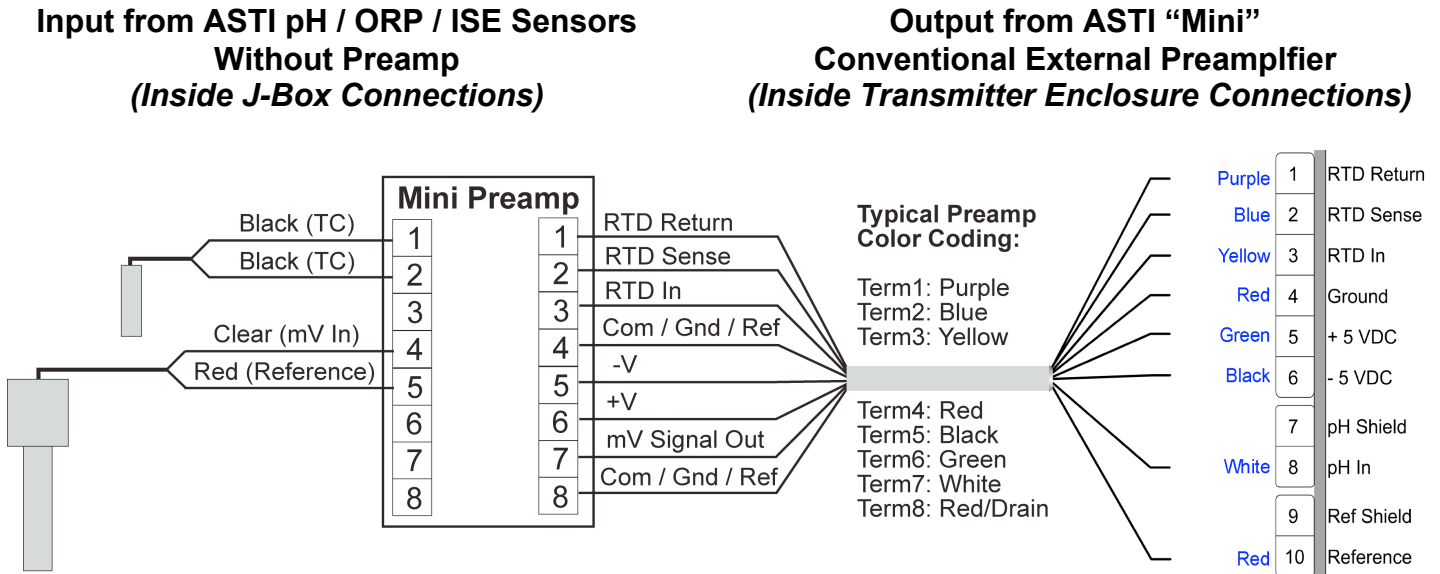


## Connection Diagram of ASTI Sensors WITHOUT PREAMPLIFIERS (Input) to External “Mini” Conventional Preamp (Output) to Rosemount 1056, 1057, 56 & 1066 pH, ORP & ISE Transmitters



### Connection from ASTI “Mini” External Conventional Preamp Output (Schematic on Left) to Input Terminal Block on Rosemount Transmitter (Schematic on Right)

**Note 1:**

The temperature compensation element input shown on the far left as the input side to the “Mini” external preamp terminal 1 & 2 can be 100 or 1000 Ohm Platinum (autoswitched by the Rosemount transmitter).

**Note 2:**

This “Mini” external conventional preamplifier can interface quite a number of additional transmitters besides these Rosemount transmitters. Please inquire to ASTI factory for wiring schematics to other transmitter types.

**Note 3:**

It is possible to power this “Mini” external preamplifier from a two-sided battery pack power source if it is to be mated with a pH/ORP transmitter that does not support preamplifiers. Inquire to ASTI factory this type of alternate wiring schematic.