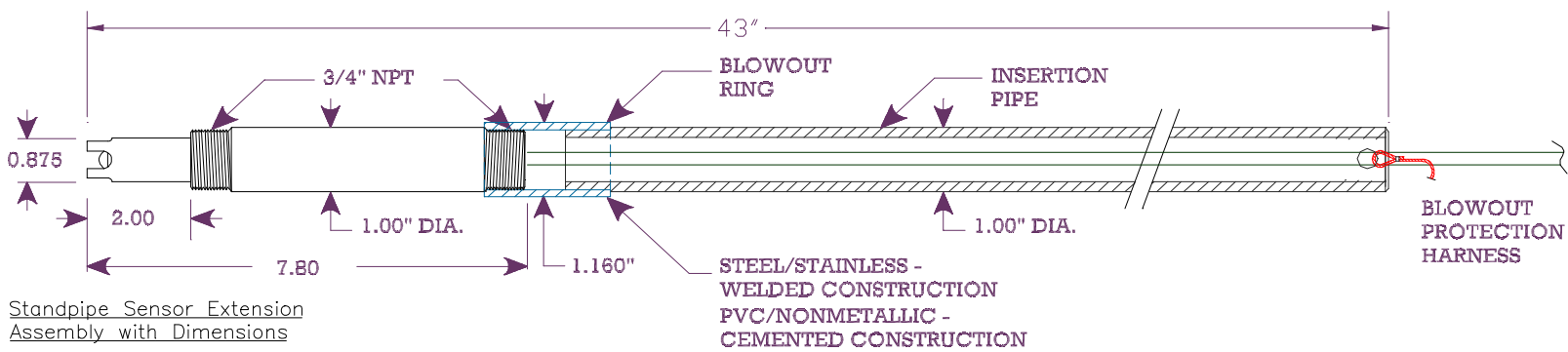
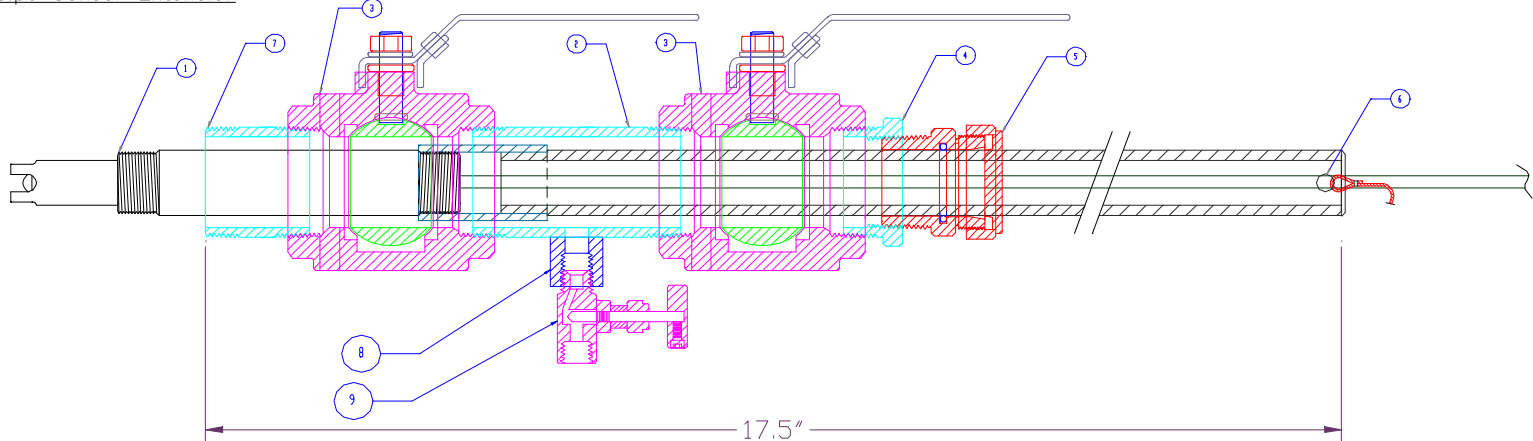


REVISES		DATE	APPROVED
ZONE	REV		
	2		
	1		

Dbl. Ball Valve Assembly with Standpipe Sensor Extension



Standpipe Sensor Extension Assembly with Dimensions

- 1. STANDPIPE SENSOR w\ DOUBLE BALL VALVE ASSEMBLY FOR 3/4" - 3/4" NPT MODELS 6X12, 6X32, 6X42
- 2. 1-1/4" X 6" SS NIPPLE.
- 3. 1-1/4" SS FULL PORT BALL VALVE.
- 4. 1-1/4" X 1" SS REDUCER.
- 5. 1" TUBE X 1" MPT 316SS TUBING UNION, BORED TO 1" ID AND MACHINED FOR SPECIAL VITON #214 O-RING
- 6. HOLE FURNISHED FOR WIRE ROPE SAFETY HARNESS.
- 7. 1-1/4" X 2" SS NIPPLE.
- 8. WELD-O-LET FITTING.
- 9. V-554SMT STAINLESS MINI VALVE.

	ASTI Advanced Sensor Technologies, Inc.		
	DOUBLE BALL VALVE & CENTER VENT w\ SENSOR EXTENSION ASSEMBLY		
ASSEMBLY DRAWING	SIZE 2	FSCM NO.	DWG NO. ASTI00232.DWG
DRAWN BY: PETE CSISZAR	SCALE NONE	DATE: OCT. 26, 2000	REV 2 SHEET 1 OF 1

BLACK&BAIRD/LID
8/5/99
PRC