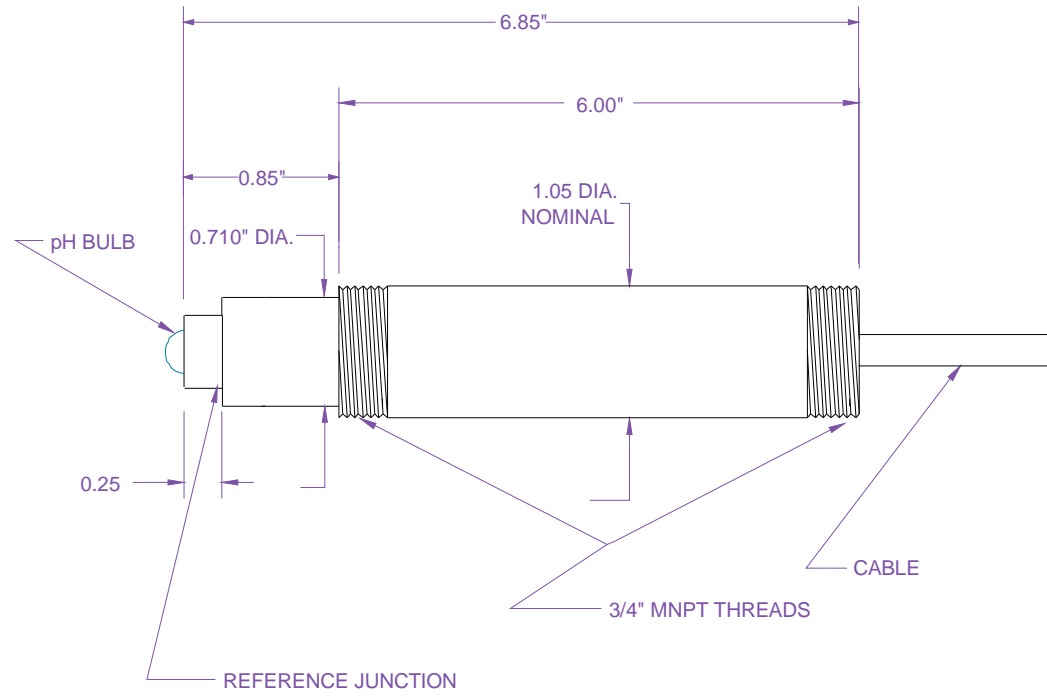



REVISIONS				
ZONE	REV	DESCRIPTION	DATE	APPROVED
	1			



**NOTES:**

1. ALL DIMENSIONS IN INCHES
2. MATERIAL: CPVC & RYTON
3. MODEL NUMBERS: 2X12, 2X52
4. DRAWING NOT TO SCALE
5. MEASURING ELEMENT PROTUDES MAX 0.25"

		ASTI - Advanced Sensor Technologies, Inc. ORANGE CA. 92868 USA		
		<b>MODEL SCS pH SENSOR</b> <b>pH BULB &lt;6-9&gt;</b>		
DIMENSION	SIZE	FORM NO.	DWG NO.	REV
	2		ASTI6-9.dwg	1
DRAWN BY:	SCALE	DATE	SHEET	
PRC / TADP	Do not scale	June 2008	1 OF 1	