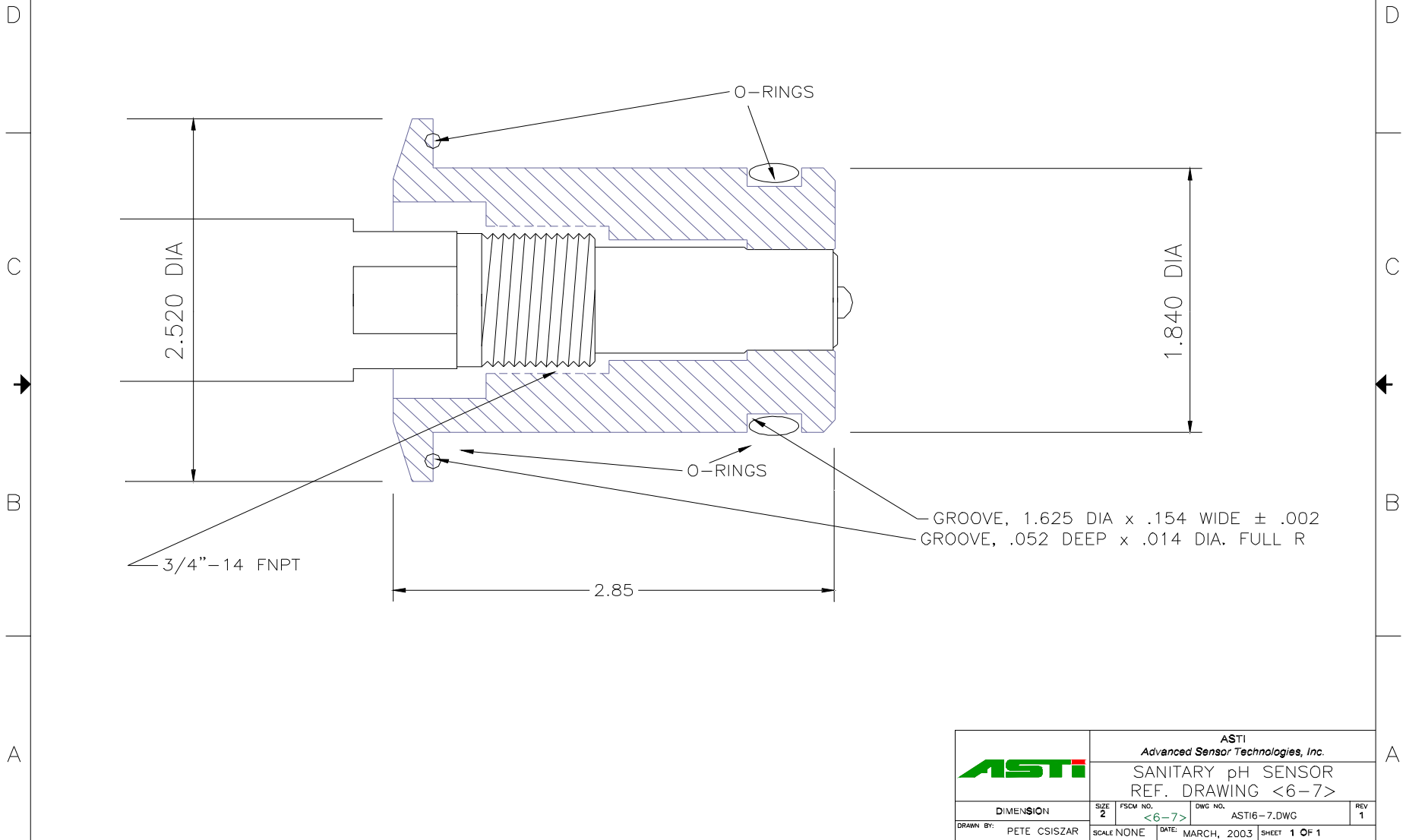



REVISIONS				
ZONE	REV	DESCRIPTION	DATE	APPROVED
2	1			



		ASTI <i>Advanced Sensor Technologies, Inc.</i>		
		SANITARY pH SENSOR REF. DRAWING <6-7>		
DIMENSION	SIZE	FSCM NO.	DWG NO.	REV
	2	<6-7>	ASTI6-7.DWG	1
DRAWN BY: PETE CSISZAR	SCALE NONE	DATE: MARCH, 2003	SHEET 1 OF 1	