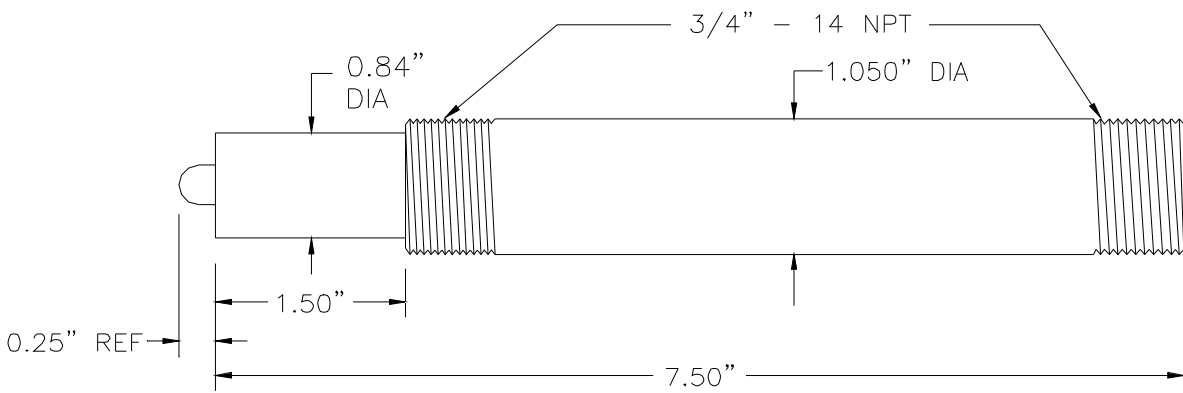



REVISIONS				
ZONE	REV	DESCRIPTION	DATE	APPROVED
2	1			



		ASTI Advanced Sensor Technologies, Inc.		
		INTEGRATED pH SENSOR REF. DRAWING <6-3>		
DIMENSION	SIZE 1	WEB NO. #<6-3>	DWG NO. ASTI6-3.DWG	REV 1
DRAWN BY: PETE CSISZAR		SCALE: NONE	DATE: MARCH, 2003	SHEET 1 OF 1