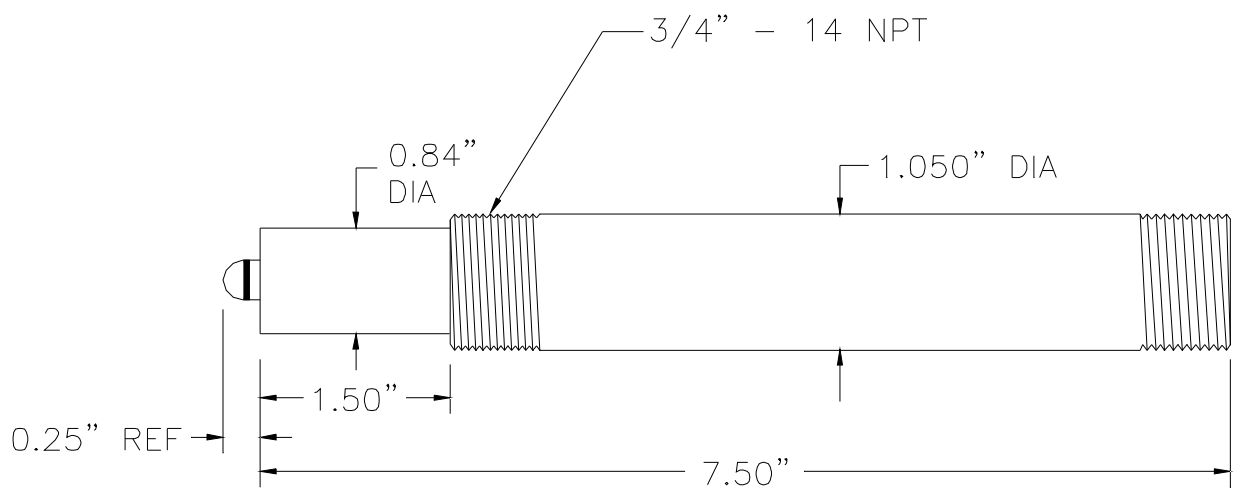



REVISIONS				
ZONE	REV	DESCRIPTION	DATE	APPROVED
2	1			



		IOTRON CANADA INC. Advanced Sensor Technologies, Inc.		
		INTEGRATED ORP SENSOR REF. DRAWING <6-3-Pt>		
DIMENSION	SIZE 2	PSCM NO. #<6-3>-Pt	DWG NO. ASTI6-3Pt.DWG	REV 1
DRAWN BY: PETE CSISZAR	SCALE NONE	DATE: MARCH, 2003	SHEET 1 OF 1	