

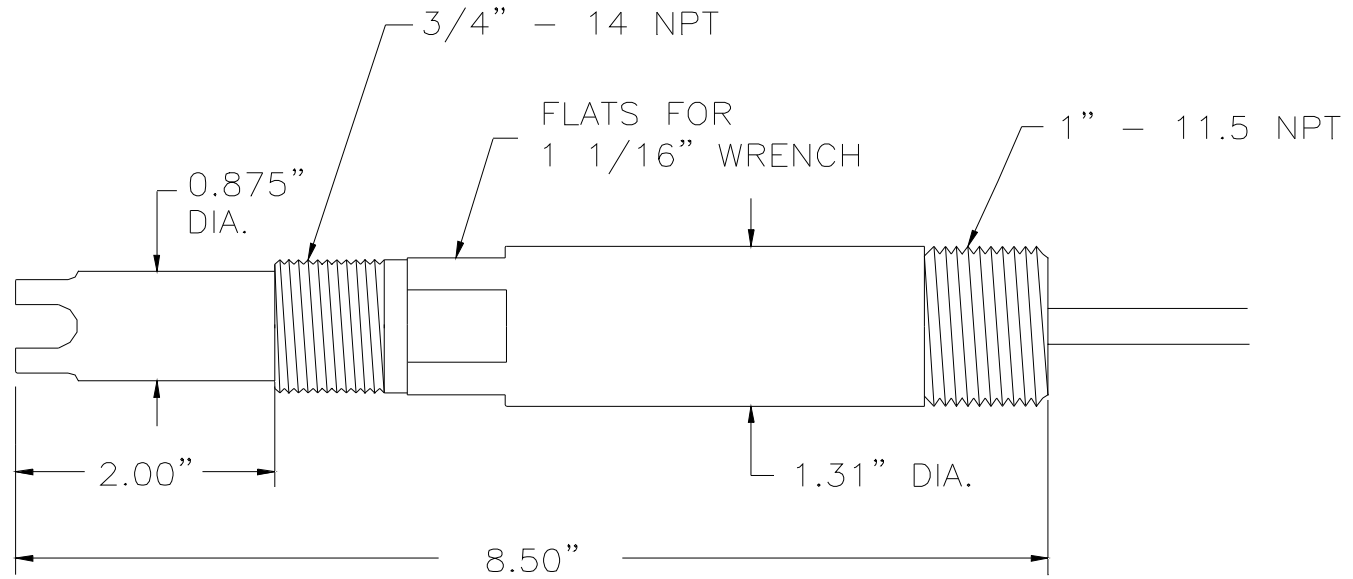
4

3

2

1

REVISIONS				
ZONE	REV	DESCRIPTION	DATE	APPROVED
2	1			



D

D

C


C

B

B

A

A

		ASTI <i>Advanced Sensor Technologies, Inc.</i>		
		ION SELECTIVE SENSOR REF. DRAWING <6-2>		
DIMENSION	SIZE	WEB NO.	DWG NO.	REV
	2	#<6-2>	ASTIAB6-2.DWG	1
DRAWN BY: PETE CSISZAR	SCALE NONE	DATE: MARCH, 2003	SHEET 1 OF 1	

4

3

2

1