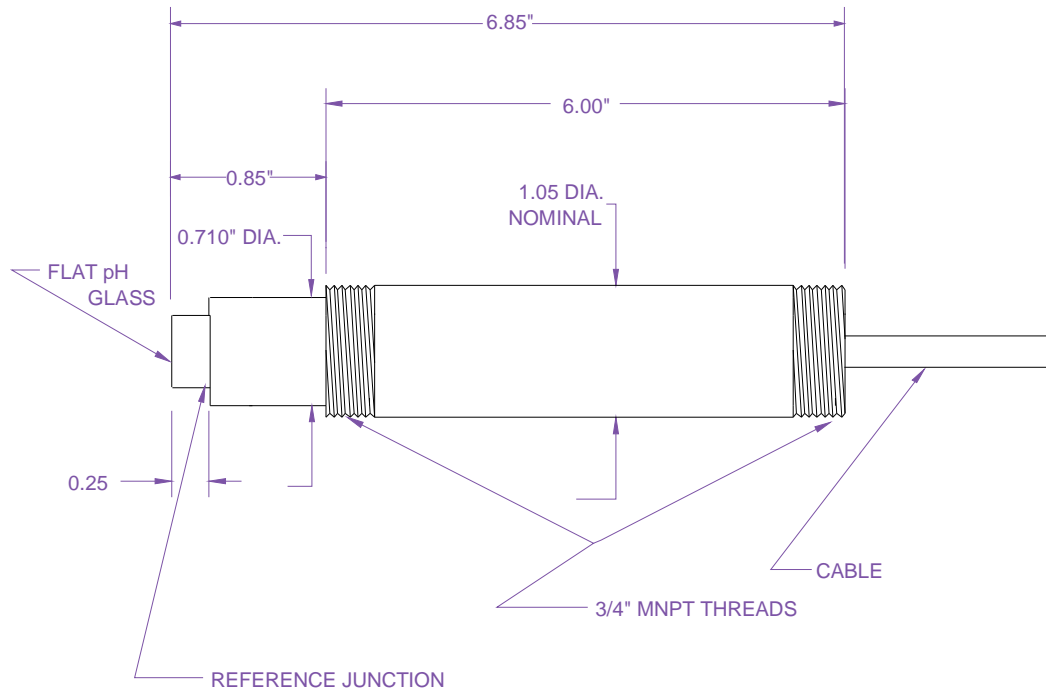


REVISIONS				
ZONE	REV	DESCRIPTION	DATE	APPROVED
	1			



- NOTES:
1. ALL DIMENSIONS IN INCHES
  2. MATERIAL: CPVC & RYTON
  3. MODEL NUMBERS: 2X12, 2X52
  4. DRAWING NOT TO SCALE
  5. MEASURING ELEMENT PROTRUDES MAX 0.10"

		ASTI - Advanced Sensor Technologies, Inc. ORANGE CA. 92868 USA		
		MODEL SCS pH SENSOR FLAT pH GLASS <6-10>		
DIMENSION	SIZE 2	PSCM NO.	DWG NO. ASTI6-10.dwg	REV 1
DRAWN BY: PRC / TADP	SCALE: Do not scale	DATE: June 2008	SHEET 1 OF 1	