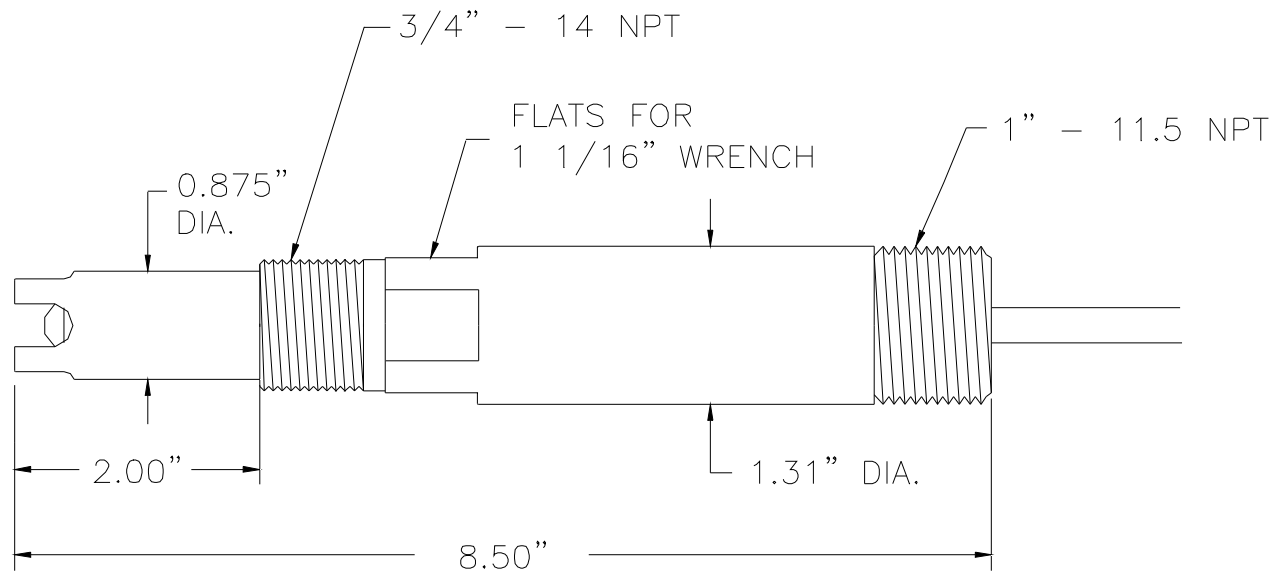



REVISIONS				
ZONE	REV	DESCRIPTION	DATE	APPROVED
2	1			



		<b>ASTI</b> <i>Advanced Sensor Technologies, Inc.</i>		
		<b>INTEGRATED pH SENSOR</b> <b>REF. DRAWING &lt;6-1&gt;</b>		
DIMENSION	SIZE 2	WEB NO. #<6-1>	DWG NO. ASTI6-1.DWG	REV 2
DRAWN BY: PETE CSISZAR	SCALE NONE	DATE: March, 2003	SHEET 1 OF 1	