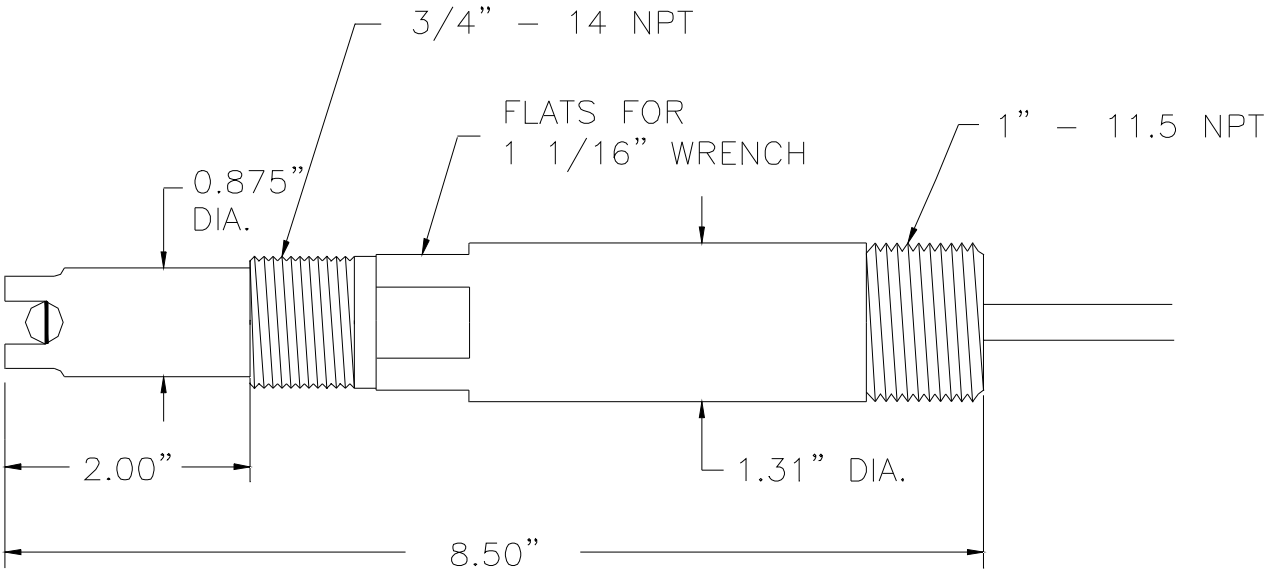



REVISIONS				
ZONE	REV	DESCRIPTION	DATE	APPROVED
2	1			



		ASTI Advanced Sensor Technologies, Inc.		
		INTEGRATED ORP SENSOR REF. DRAWING <6-1-Pt>		
DIMENSION	SIZE 2	FSCM NO. #<6-1>-Pt	DWG NO. ASTI6-1Pt.DWG	REV 1
DRAWN BY: PETE CSISZAR		SCALE NONE	DATE: March, 2003	SHEET 1 OF 1